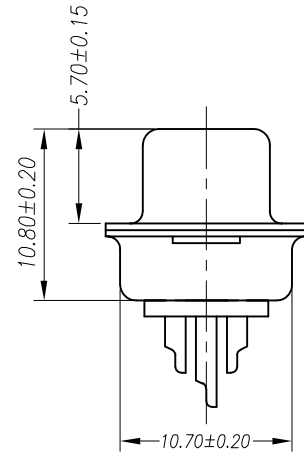
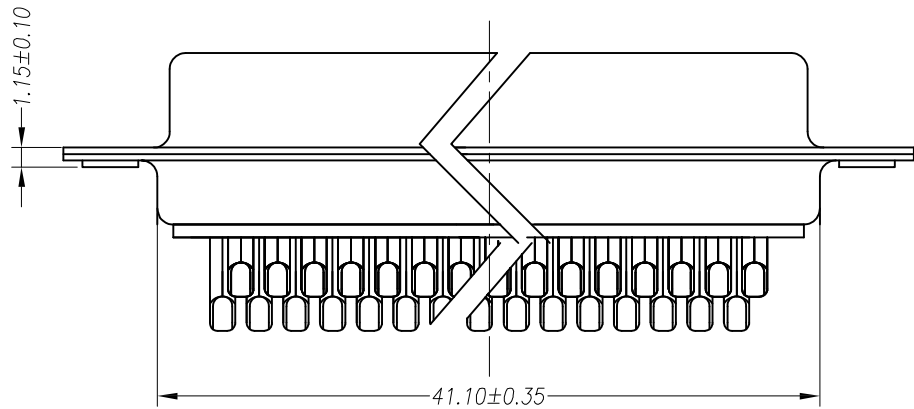


1 2 3 4 5 6 7 8

A
B
C
D
E
F
G
H

A
B
C
D
E
F
G
H



Note:

1.Material:

- 1.1 Insulator: PBT
- 1.2 Contact: Copper Alloy
- 1.3 Shell: Spcc

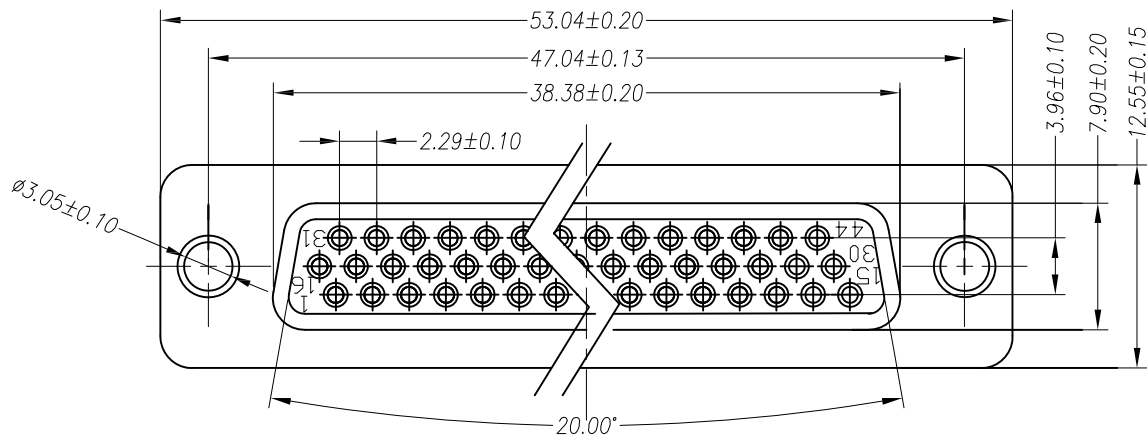
2.Specification:

- 2.1 Current rating: 1A Max.
- 2.2 Dielectric withstanding Voltage: 500V(AC) at sea level.
- 2.3 Contact resistance: 30 mΩ Max.
- 2.4 Insulation resistance: 500 MΩ Min.
- 2.5 Total mating force: 12.71 Kgf Max.
- 2.6 Total unmating force: 1.37 Kgf Min.
- 2.7 Temperature range: -55°C~85°C

Order Information :

DSSLH-F 44 X XX B X X -59

- Hi D-Sub Female
- Traditional Solder type
- 44:44Pin
- X:Without any accessories
- A:With Front screw rivet
- D:With Front Nut Rear boardlock
- E:With Rear boardlock
- F:With Rear Nut
- G0:Tin
- G1:Gold Flash
- G4:Au 15u"
- G5:Au 30u"
- C:Black
- B:Blue
- W:White
- G:Green
- SHELL FINISH
- 1:TIN
- 2:NICKEL
- 3:Front Shell Gold
- Contact Material
- P:Phosphor Bronze
- B:Brass



RoHS Compliant

REV.	REVISION RECORD	DATE	General Tolerances		
A	Original	12/09/15'	LINEAR	0.0 ±0.35 0.00±0.20	ANGLES ±3°
				UNIT: mm	
			A4	NAME	DATE
			APPROVED	FRANK	
			DESIGNER	MERLIN	
			DRAWN	ERIC	
			TITLE: Hi D-Sub Female 44Pin Solder Type		
			DWG.NO.: DSSLH-F44XXXBXX-59		REV. A
			SCALE	1 : 1	SHEET 1 OF 1



1 2 3 4 5 6 7 8